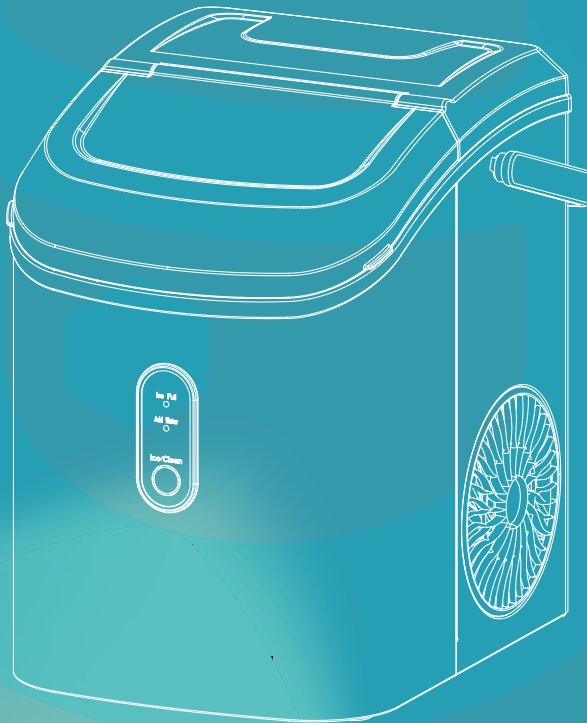


PORTABLE NUGGET ICE MAKER

Instruction Manual

SKU:IM-12S-AZ-HM



Congratulations

Dear Customer:

Welcome to the Euhomy family. Thank you for purchasing one of our products.

Our goal is to provide you with superior service. If there is anything missing from or wrong with your order, or if you have any questions about using our ice maker, PLEASE contact us.

Email: support@euhomy.com

Facebook: [@Euhomy.Official](https://www.facebook.com/Euhomy.Official)

The Euhomy team is available 24/7 to address your questions, comments, and concerns. Your satisfaction is our ultimate goal. We want to make everything right so you'll share your positive experience with other shoppers on Amazon.

If you experience any problems, please send an email to support@euhomy.com.

Our mission:

- * To be the most trusted appliance brand.
- * To create practical, compact appliances that better your life.

Be sure to register at
www.euhomy.com/register
for updates, warranty, and other relevant information.

I Q&A

1. How often do I need to clean my ice maker?

It depends on your usage habits. If you use the ice maker often, it is recommended that you clean it at least once a week. Failure to clean the machine will cause scale accumulation, which will eventually block the pump and cause the product to stop working.

2. How should I clean the machine?

It is recommended to use lemon water or a solution of low-acid vinegar and water for cleaning. Drain the machine immediately after cleaning and then rinse it with pure water.

It is recommended to drain the water tank at least once every three days. This keeps the hardness of the water low, ensures that impurities can be discharged, and prevents scale buildup in the water tank.

3. Why are my ice cubes cloudy?

It means that your water quality is turbid. It is recommended to use only drinking water and distilled water. If your water quality problem is serious, it is recommended that you install a water filtration system on your faucet.

4. Can I put milk and juice into the water tank to make ice cubes?

Using liquids other than water to make ice cubes is not recommended. Our research has found that the particles in milk and beverages can easily block the pump and reduce the life of the pump. Also, the protein in milk is prone to calcification, which chemically reacts with the PU water pipe inside the machine and easily breaks it, making the product unable to continue working.

5. Why do my ice cubes melt easily?

Because the ice maker is not a refrigerator, it does not have a heat-control function. High ambient temperatures in summer will accelerate the melting of ice cubes. You can close the lid of the machine to maintain the internal temperature. Some users put electric fans by the machine to blow away hot air, which you can also try. However, if you are not going to use the ice cubes for a long time, we recommend removing them from the ice basket and storing them in your freezer.

6. Why do my ice cubes stick together?

Either the room temperature or the water temperature is too low. You can add water to increase the temperature of the water in the tank. If this does not work, then the evaporator may have sagged and become deformed. It is recommended that you push up the cubes with your hand.

7. Why do the ice cubes I made smell of plastic?

The ice cubes themselves have no taste. If they smell of plastic, first try to clean the inside of the machine with lemon water. Then run a few ice-making cycles and discard the ice cubes made. Finally, rinse the machine with distilled water.

8. Why does my machine make noise when it is running?

The machine will make a faint sound when it is running. Closing the lid can reduce the noise. If the water pump makes noise during use, it is recommended to turn off the machine first. Then turn on the machine after cleaning the filter in the water tank to see whether the noise disappears.

9. Why is water leaking from my machine?

It may be that the tube inside the machine fell off during transport. You can remove the back cover of the machine and reconnect the tube yourself. If you do not know how to do this, please contact the Euhomy team. We will refer you to a professional video to help you solve the problem.

10. Why is there water flowing but not making ice?

If the ambient temperature and refrigeration pipe are OK, then the refrigerant in the machine has leaked. Please send us a video or picture, and the Euhomy team will help you.

11. Why the ice making is not big?

When the ambient temperature or the initial water temperature is too high or the machine's evaporator column deformation will lead to the production of ice is not large enough. It is recommended to continue to wait for the machine to make a few more rounds of ice, or add the water temperature of the tank is not too high, and then the deformed evaporator column will be manually pulled down to restore its original state.

Contents

Safety Precautions	2-4
Unit Construction & Operation	5-12
Maintenance & Tips	13-15
Technical Parameters & Circuit Diagram	16
Packing List	17
Warranty	18
Troubleshooting:support@euhomy.com	19

| Safety Precautions

Your safety and the safety of others are very important.

We have provided many important safety messages manual and your appliance.

Always read and obey all safety messages.

This is the safety alert symbol:



All safety messages will follow the safety alert symbol and the word "DANGER" or "WARNING"



These words mean:

You can be killed or seriously injured if you don't immediate follow instructions.

All safety messages will tell you what the potential hazard is, tell you how to reduce the chance of injury, and tell you what can happen if the instructions are not followed.

| Safety Precautions



When using electrical appliances, basic safety precautions should be followed to reduce the risk of fire, electric shock, and injury to persons or property. Read all instructions before using any appliance.

- Do not operate this or any other appliance with a damaged cord. If the supply cord is damaged, it must be replaced by the manufacturer, its service agent, or a similarly qualified person in order to prevent a hazard. This ice maker must be positioned so that the plug is accessible.
- Do not run the power cord over carpeting or other heat insulators. Do not cover the cord. Keep the cord away from traffic areas. Do not submerge the cord in water.
- We do not recommend the use of an extension cord, as it may overheat and become a fire hazard. If you must use an extension cord, use a size 14AWG at minimum, rated no less than 1875 watts.
- Unplug the ice maker before cleaning, repairing, or servicing.
- Exercise caution and provide reasonable supervision when using the appliance near children.
- Do not use your ice maker outdoors. Place the ice maker out of direct sunlight. Be sure that there is at least 6 inches of space between the back of the unit and the wall. Keep a minimum distance of 6 inches on each side of your unit free.
- Do not use liquids other than water to make ice cubes.
- Do not clean your ice maker with flammable fluids. The fumes can create a fire hazard or explosion.
- Do not tip the unit over.
- If the ice maker has been in a cold environment, give it a few hours to warm up to room temperature before plugging it in.

Safety Precautions

WARNING: This appliance must be grounded.



- **DANGER:** Risk of Fire or Explosion. Flammable Refrigerant Used. Do Not Use Mechanical Devices to Defrost Ice Maker. Do Not Puncture Refrigerant Tubing.
- **DANGER:** Risk of Fire or Explosion. Flammable Refrigerant Used. To Be Repaired Only by Trained Service Personnel, Do Not Puncture Refrigerant Tubing.
- **CAUTION:** – Risk of Fire or Explosion. Flammable Refrigerant Used. Consult Repair Manual/Owner's Guide Before Attempting to Install or Service This Product. All Safety Precautions Must Be Followed.
- **CAUTION:** Risk of Fire or Explosion. Dispose of Property in Accordance With Federal or Local Regulations. Flammable Refrigerant Used.
- **CAUTION:** Risk of Fire or Explosion Due to Puncture of Refrigerant Tubing. Follow Handling Instructions Carefully. Flammable Refrigerant Used.
- The ice maker should be installed in accordance with the safety standard for refrigeration systems, ASHRAE15. The ice maker shall not be installed in corridors or hallways of public buildings.
- If the unit needs maintenance or repairs, the service shall be performed by factory-authorized service personnel with like parts to minimize the risk of possible ignition due to incorrect parts or improper service.

Note:

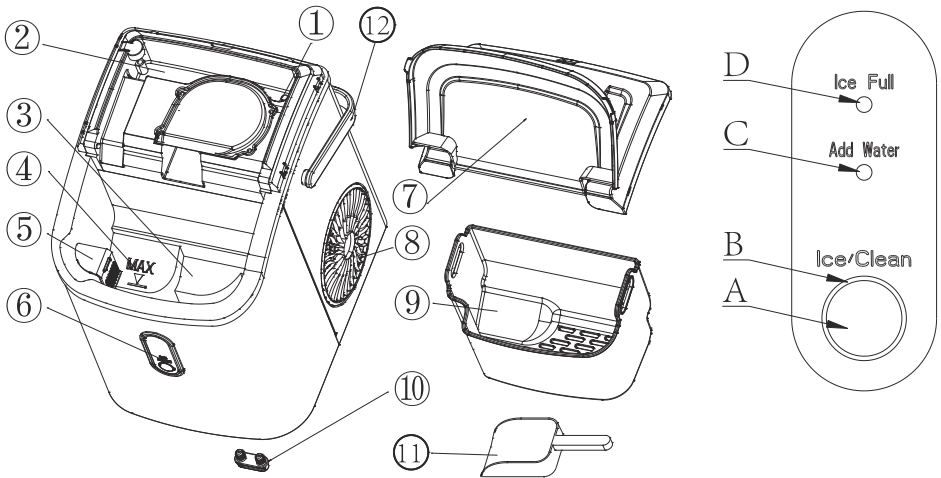
The wires in the power cord are colored in accordance with the following code:

COLOR	WIRING
Green, or green with a yellow stripe	Grounding
White	Neutral
Black	Live

To prevent a hazard due to instability of the appliance, it must be placed on a flat, even surface.

I Unit Construction & Operation

- 1、 Float switch;
- 2、 Secondary water reservoir:
It connects directly with the evaporator;
- 3、 Water reservoir;
- 4、 Maximum water level;
- 5、 Filter;
- 6、 Control Panel:
 - A. Ice making and cleaning buttons;
 - B. Ring indicator light;
 - C. Water lack indicator light;
 - D. Ice full indicator light;
- 7、 Top cover, removable from the top;
- 8、 Hot Air outlet;
- 9、 Ice basket;
- 10、 Water drain cap: at front btom side of the unit;
- 11、 Ice scoop;
- 12、 Handle



Operating Procedures & Maintenance

Remove the exterior and interior packaging, and then check all the accessories are included. If any parts are missing, please contact our customer service.

Remove all the tapes on the unit; take out the accessory parts inside.

Clean the interior with lukewarm water and a soft cloth.

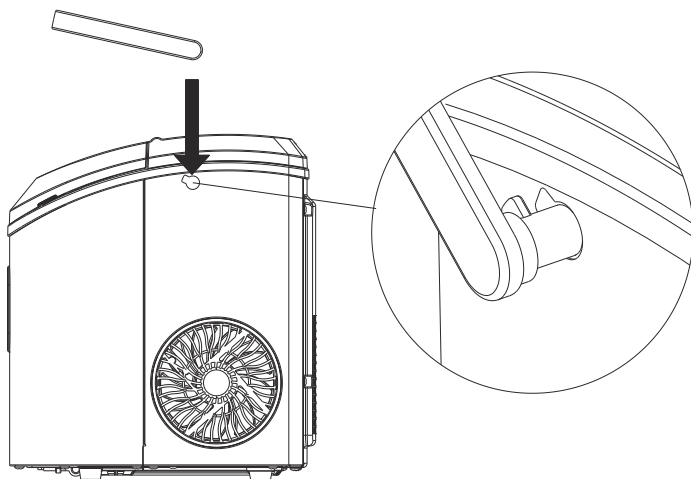
Locating your ice maker on a level counter table far from direct sunlight and other sources of heat (i.e.: stove, furnace, and radiator). Make sure that there is at least 6 inches between the back and sides of your ice maker with the wall.

Allow one hour for the refrigerant fluid to settle down before plugging your ice maker in.

6. The power plug must be accessible directly. **WARNING:** fill with potable water only. Only use drinking water.

I Unit Construction & Operation

Rotate the handle to the same angle as the mounting hole on the machine, Put It on the machine.



DANGER

***Improper use of the grounded plug can result in the risk of electrical shock. If the power cord is damaged, please call our customer service.**

1. This unit should be properly grounded for your safety. The power cord of this appliance is equipped with a grounding plug which mates with standard grounding wall outlets to minimize the possibility of electric shock.
2. Plug your appliance into an exclusive, properly installed, grounding wall outlet. Do not under any circumstances; damage the grounding means of the plug. Any questions concerning power and/or grounding should be directed toward a certified electrician.
3. This appliance requires a standard 110–120Volt, 60Hz electrical outlet with good grounding means.

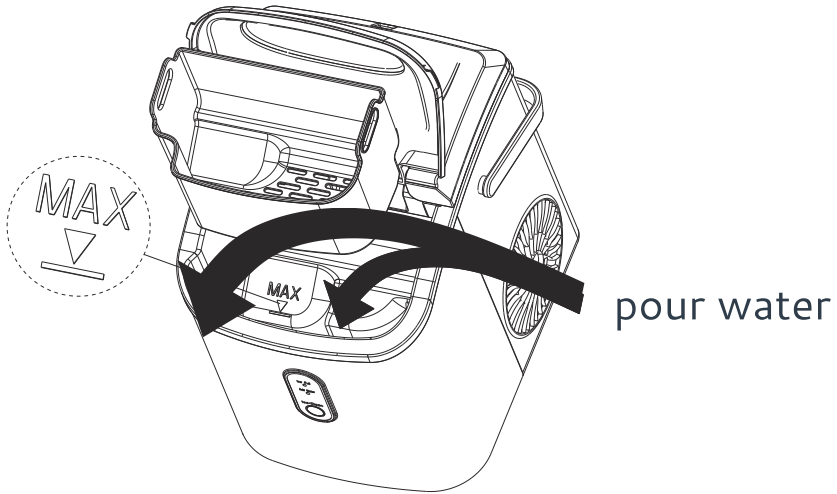
Before using your ice maker, it is strongly recommended to clean it thoroughly. Unplug the unit before cleaning or making any maintenance.

1. Take out the ice basket.
2. Clean the interior with diluted detergent, warm water and a soft cloth.
3. Then use the water to rinse the inside parts, and drain out the water by unplugging the drain cap on front bottom side.
4. The outside of the ice maker should be cleaned regularly with a mild detergent solution and warm water.
5. Dry the interior and exterior with a clean soft cloth.
6. When the machine is not to be used for a long time, drain water completely & dry the interior.

I Unit Construction & Operation

HOW TO START THE UNIT

1. Take out the ice basket and fill the water tank with potable water—0.3 gallon at the most at one time.
2. Re-place the ice basket.



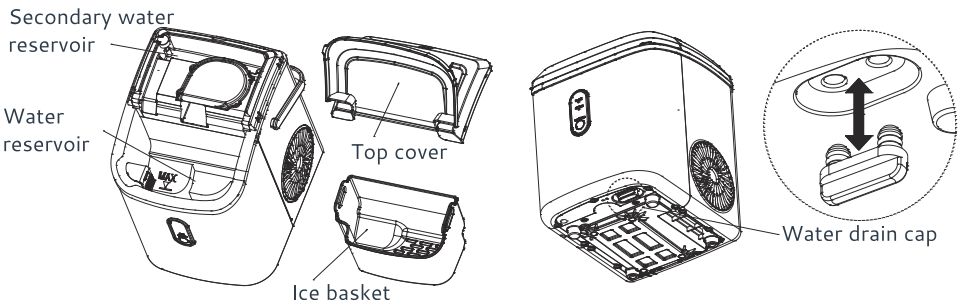
3. Plug in the ice maker. The ring indicator light will be red. To make ice, quickly press the "ICE/CLEAN" button. To activate the automatic cleaning function, press and hold the "ICE/CLEAN" button.

Unit Construction & Operation

CLEANING

When activating the cleaning function for the first time or after a long time, it is highly recommended to run the following procedure first.

1. Before the cleaning procedure, be sure the water drain cap has been inserted into the appliance; otherwise, the cleaning function will not work properly.
2. Press the "ICE/CLEAN" button for 3 seconds. The ring indicator light will flash white. The cleaning procedure will run for 15 minutes and automatically exit. Press the "ICE/CLEAN" button again during the cleaning procedure to exit the procedure immediately.
3. After the cleaning procedure, remove the top cover and the ice basket. Rinse the main water tank and the secondary water tank. Then move the ice maker to the edge of the countertop or table. Be sure that the appliance is stable. Place a water container under the appliance. Remove the drain cap from the bottom. Allow the dirty water to drain into the water container. Then reinsert the drain cap.



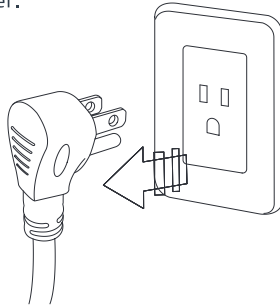
Tip: Remove the top back cover by gently pulling up the clear front cover.

Change the water in the water tank every 24 hours to ensure reasonable sanitation. If the unit will not be used for a day or more, drain all water and dry the water tank.

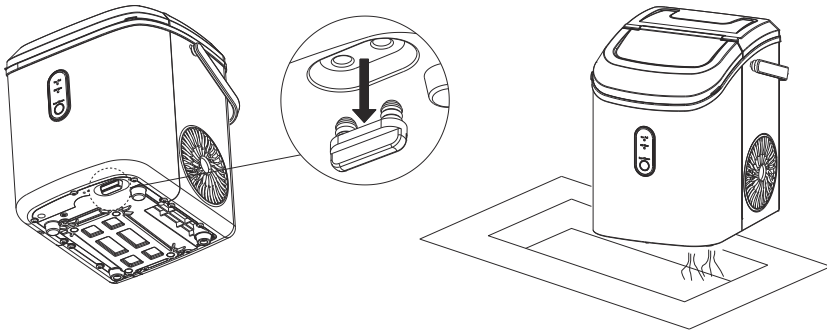
Unit Construction & Operation

SYSTEM CLEANING/SANITIZING PROCEDURE

1. Unplug the ice maker.



2. Take off the bottom drain cap and drain the water into a sink. See the figure below.

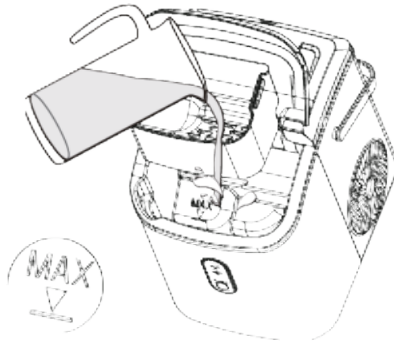


3. Make a daily cleaning solution by diluting 1 teaspoon of household bleach in 5 cups of water. For monthly cleaning and removal of mineral deposits, please use white vinegar instead of the above bleach-and-water solution. Plug in the ice maker and turn on the cleaning function for about 5 minutes. After that, unplug the ice maker and let the white vinegar stand in the unit for at least 12 hours.

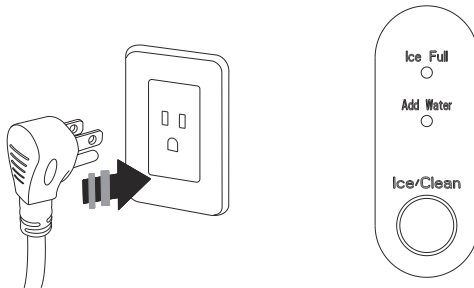


Unit Construction & Operation

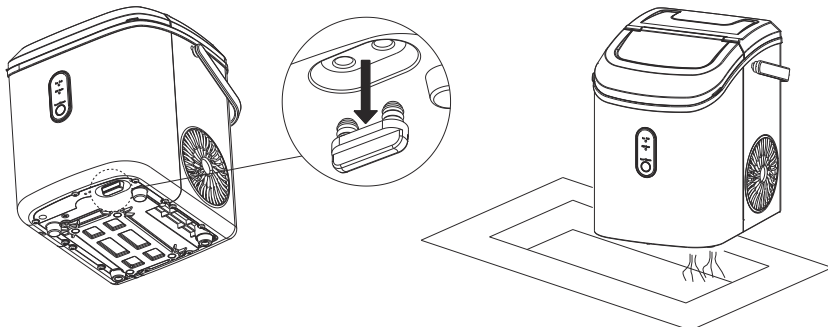
4. Pour the daily cleaning solution into the water tank, up to the MAX water level. See the figure below.



5. Plug in the Nugget ice maker, press and hold the " Ice/Clean " button for 5 seconds, ring indicator light flashes white, initiate the cleaning process (15mins). See the figure below.

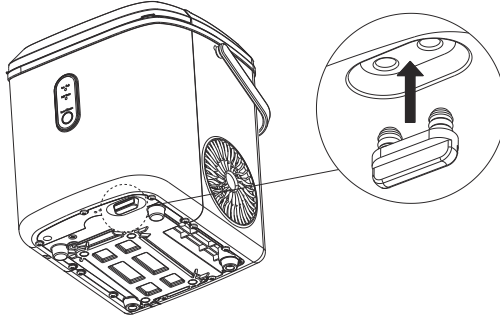


6. When the ring indicator lights off, take off the drain cap and drain out the water to a sink.

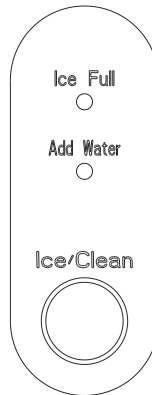


Unit Construction & Operation

- Repeat steps 4 through 6 with fresh water for 2 more cycles to rinse the interior.
- Replace the drain cap on the bottom. See the figure below.



- When completed, fill the unit with fresh water. Press the "ICE/CLEAN" button to start the ice-making process. See the figure below.



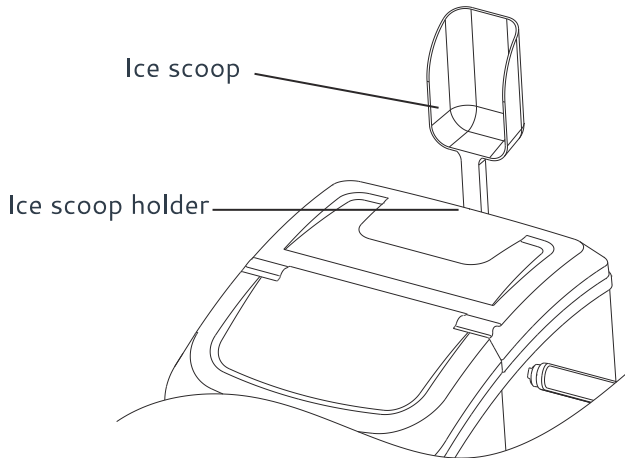
Unit Construction & Operation

HOW TO MAKE ICE CUBES

1. When making ice for the first time or after a long time, it is highly recommended to clean the ice maker first.
2. Before making ice, be sure the water drain cap has been inserted into the appliance; otherwise, the ice-making function will not work properly.
3. Press the "ICE/CLEAN" button. The ring indicator light will flash white. Press the "ICE/CLEAN" button again to stop making ice.
4. If the ADD WATER indicator light comes on and the machine stops working, add water and restart the machine. However, it requires a long wait before it can automatically turn on the ice making mode again.. When the ice maker machine is restarted, the compressor will need 3 minutes to reset.
5. When the machine is full of ice, it will automatically stop working. The ICE FULL indicator light will come on, and the ring indicator light will be white. After the ice is removed, the machine will start working automatically.

ICE SCOOP POSITION

Put the scoop on the top back cover.



Maintenance & Tips

MAINTAINING YOUR ICE MAKER

- Remove the exterior and interior packaging. Check that all the accessories are included. If any parts are missing, please contact our customer service department.
- Remove all the tape on the unit. Take out the accessory parts inside.
- Clean the interior with lukewarm water and a soft cloth.
- Place your ice maker on a level countertop or table, out of direct sunlight and far from other sources of heat (e.g., stove, furnace, or radiator). Be sure that there is at least 6 inches between the back and sides of your ice maker and any walls or other appliances.
- Allow 1 hour for the refrigerant fluid to settle before plugging your ice maker in.
- The power plug must be accessible.

NOTE:

WARNING: Fill with potable/drinking water only.

DANGER

Improper use of the grounded plug can result in electrical shock. If the power cord is damaged, please call our customer service department.

- This unit should be properly grounded for your safety. The power cord of this appliance is equipped with a grounding plug, which mates with standard grounded wall outlets to minimize the risk of electric shock.
- Plug your appliance into an exclusive, properly installed, grounded wall outlet. Do not, under any circumstances, damage the grounding prong of the plug. Any questions concerning power and/or grounding should be directed to a certified electrician.
- This appliance requires a standard 110–120 V, 60 Hz electrical outlet with good grounding.

MAINTAINING YOUR ICE MAKER

DANGER

Before using your ice maker, it is strongly recommended to clean it thoroughly. Unplug the unit before cleaning or maintaining it.

- Take out the ice basket.
- Clean the interior with diluted detergent, warm water, and a soft cloth.
- Rinse the interior with clean water.
- Drain out the water by unplugging the drain cap at bottom front.
- Clean the exterior of the ice maker regularly with a mild detergent solution and warm water.
- Dry the interior and exterior with a clean, soft cloth.

When the machine is not to be used for a long time, drain out the water completely and dry the interior.

Maintenance & Tips

Note:

Do not use organic solvents, boiled water, detergent, strong acids, strong alkali, or other harsh substances for cleaning. Please empty the water tank and dry it before storing the ice maker if it will not be used for a long time.


CORRECT DISPOSAL OF THIS PRODUCT



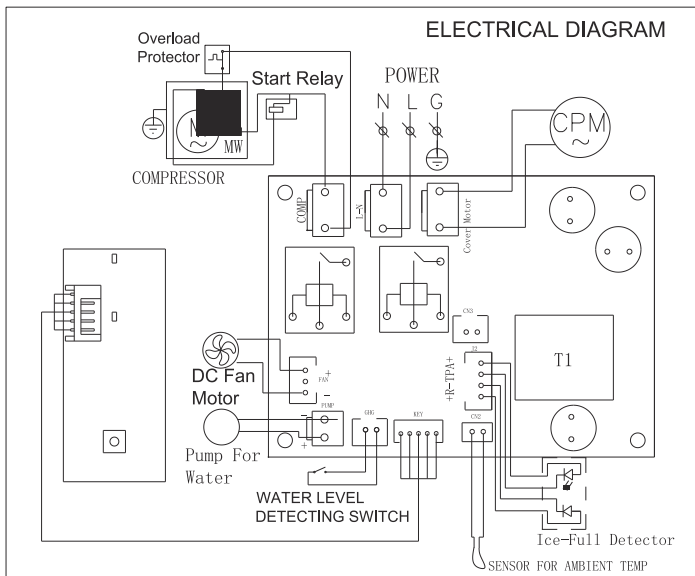
When the unit is taken out of service, disposal of this unit and its materials shall be in accordance with national regulations.

Technical Parameters & Circuit Diagram

TECHNICAL PARAMETERS

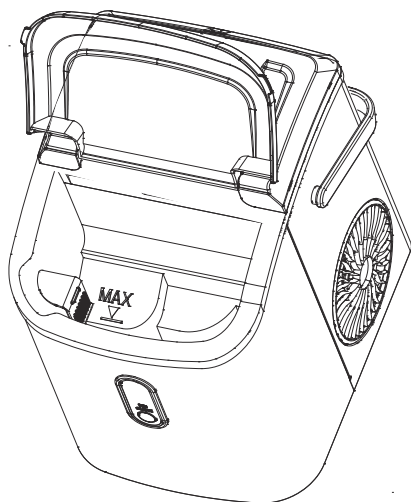
Model	IM-12S
Protection Type	I
Power	115V/60Hz
Ice-Making Current	2.7A
Refrigerant	R600a, 0.57oz/16g 
Design Pressure, High Side	290psig
Low Side	88psig
Vesicant	C ₅ H ₁₀
Net Weight	8.9kg
Dimensions	287x220x322mm
Enclosure	Plastic

CIRCUIT DIAGRAM

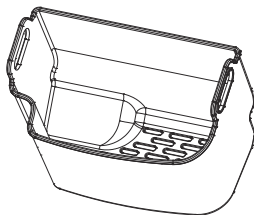


Packing List

ADDITIONAL ACCESSORIES



Ice Scoop



Ice basket

NO.	Description	Quantity
1	Nugget Ice Maker	1 pc
2	Handle	1 pc
3	Ice Basket	1 pc
4	Ice Scoop	1 pc
5	Manual	1 pc

Warranty

Euhomy offers a limited 1-year warranty ("warranty period") on all our products purchased new and unused from Euhomy company, with an original proof of purchase and where a defect has arisen, wholly or substantially, as a result of faulty manufacture, parts, or workmanship during the warranty period. The warranty does not apply where damage is caused by other factors, including without limitation:

- (a) normal wear and tear;
- (b) abuse, mishandling, accident, or failure to follow operating instructions;
- (c) exposure to liquid or infiltration of foreign particles;
- (d) servicing or modifications of the product other than by Euhomy;
- (e) commercial or non-household use.

The Euhomy warranty covers all costs related to restoring the proven defective product through repair or replacement of any defective part and necessary labor so that it conforms to its original specifications. A replacement product may be provided instead of repairing a defective product. Euhomy's exclusive obligation under this warranty is limited to such repair or replacement. A receipt indicating the purchase date is required for any claim, so please keep all receipts in a safe place. Although greatly appreciated, the product registration is not required to activate any warranty and product registration does not eliminate the need for the original proof of purchase. The warranty becomes void if attempts at repair are made by non-authorized third parties and/or if spare parts, other than those provided by Euhomy, are used.

You may also arrange for service after the warranty expires at an additional cost. These are our general terms for warranty service, but we always urge our customers to reach out to us with any issue, regardless of warranty terms. If you have an issue with a Euhomy product, please email us (support@euhomy.com), and we will do our best to resolve it for you.

I Troubleshooting (support@euhomy.com)

Problem	Possible cause(s)	Solution
ADD WATER indicator turns on	Lack of water.	Stop the ice maker, fill water, and press "ICE/CLEAN" button again to restart the unit.
ICE FULL indicator turns on	There is too much ice.	Remove any ice cubes.
	Blockage.	Remove any obstacles from inside or clean the inside of the ice-storage compartment.
Ring indicator light flashes red	Ambient temperature or water temperature in inner tank is too high.	Please run the ice maker in an ambient temperature below 90 ° F. Fahrenheit degree ambient and pour colder water into tank.
	Refrigerant liquid leakage.	Press the "Ice/Clean " button twice, restart ice making program, if this problem show up again, Please contact support@euhomy.com.
	Cover motor is broken.	
	Pipe in the cooling system is blocked.	
Ice-making is too slow	Hot air vent is blocked.	Hot air vent must be more than 6 inches away from other objects or walls.
	Water temperature in inner tank is too high.	Water temperature requirement must be between 44.6°F-89.6°F.
	Refrigeration system has malfunctioned.	Please contact support@euhomy.com.
Water leakage	Drain plug is not in place.	Put the drain plug in place.
	Pipe joint in the appliance is loose.	Please contact support@euhomy.com.
	The seal has reached the end of its service life.	Please contact support@euhomy.com.

EUHOMY

Live the *cool life*



Email: support@euhomy.com



Facebook: [@Euhomy.Official](https://www.facebook.com/Euhomy.Official)