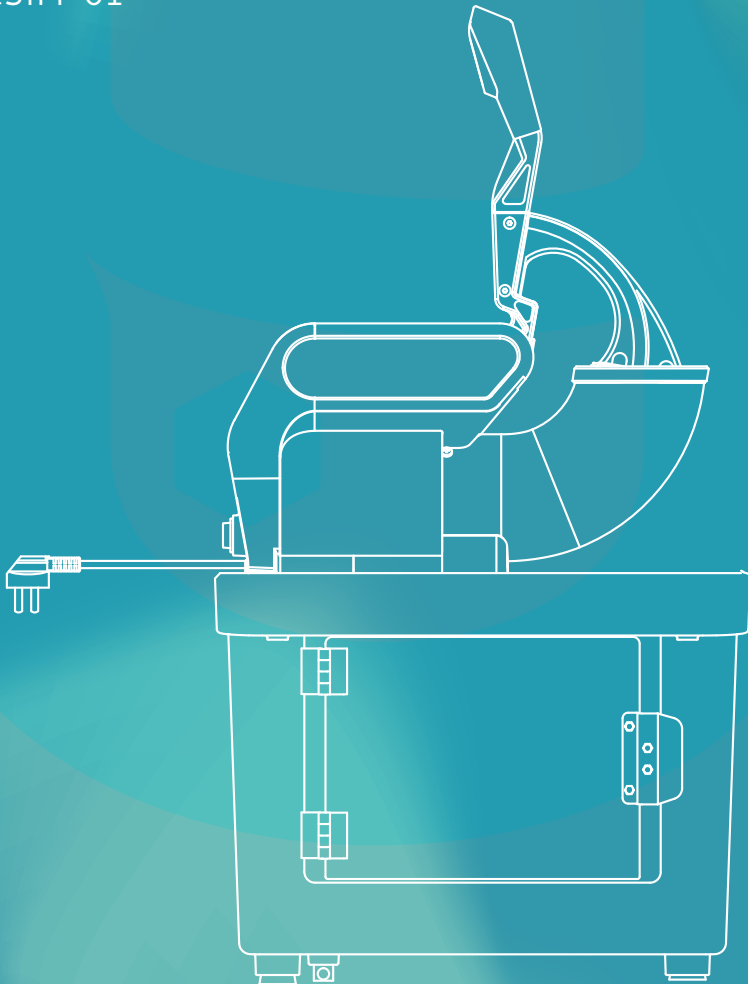


Commercial Shaved Ice Machine

SKU: CSIM-01



Congratulations

Dear Customer:

Welcome to the Euhomy family. Thank you for purchasing one of our products.

Our goal is to provide you with superior service. If there is anything missing from or wrong with your order, or if you have any questions about using our commercial shaved ice machine. PLEASE contact us.

Email: support@euhomy.com.

Facebook: @Euhomy.Official

The Euhomy team is available 24/7 to address your questions, comments, and concerns. Your satisfaction is our ultimate goal. We want to make everything right so you'll share your positive experience with other shoppers on Amazon.

If you experience any problems, please send an email to support@euhomy.com.

Our mission:

- * To be the most trusted appliance brand.
- * To create practical, compact appliances that better your life.

Be sure to register at
www.euhomy.com/register
for updates, warranty, and other relevant information.

Contents

Safety Precautions	02
Installation & Operation	03-07
Cleaning & Maintenance	08
Circuitdiagram & Packing List	09
Warranty	10
Troubleshooting (support@euhomy.com)	11

| Safety Precautions

Your safety and the safety of others are very important.

It is important that you read these instructions carefully and keep it for future reference.

All safety messages will follow the safety alert symbol and the word "DANGER" or "WARNING".

DANGER

WARNING

These words mean:

IMPORTANT SAFETY INSTRUCTIONS

When using electrical appliances, basic safety precautions should be followed to reduce the risk of fire, electric shock and injury to persons or property. Read all instructions before operating the machine for the first time.

I Installation & Operation

Install the machine correctly before using.

1. Keep the ice crusher and power cable away from heat sources and hot surfaces.
 2. To avoid electrical shock, do not place the cord, plug or ice crusher in water or other liquids.
 3. We do not recommend the use of an extension cord, as it may overheat and become a risk of fire.
 4. Do not operate appliance with wet hands or operate in a wet working environment.
 5. Always protect the power cable from undue flexing and wearing –do not allow the cable to hang off edge of the counter or table.
 6. If the supply cord is damaged, do not use the product. Contact customer service for repair or replacement.
 7. This appliance is not intended for use by persons (including children) with reduced physical, sensory or mental capabilities, or lack of experience or knowledge, unless they have been given supervision or instruction concerning use of the appliance by a person responsible for their safety.
 8. Children should be supervised to ensure that they do not play with the appliance.
 9. Do not move the ice crusher while it is switched on.
 10. Do not leave your Professional Blender unattended when power is connected.
 11. Unplug the ice crusher before cleaning or making any repairs or servicing.
- NOTE: strongly recommend to repair the machine by professional technician.
12. It's forbidden to pull the cable to unplug the plug, pull the plug is a must.
 13. The ice crusher is commercial machine which is intended to be used in staff kitchen areas in shops, offices and other working environments;
 14. Warning: Don't use your ice crusher outdoors. Avoid direct sunlight and make sure that there is at least 15cm of space between the back and sides of your unit and the wall.
 15. Do not tip the machine over.
 16. The blade must be replaced by original blade.

Unpack the machine

Remove all exterior and interior packing materials. Take out the accessories bag and check whether all the accessories are included or not. If any parts are missing, please contact our customer service.

Warning:

The blade is very sharp, operate with care.

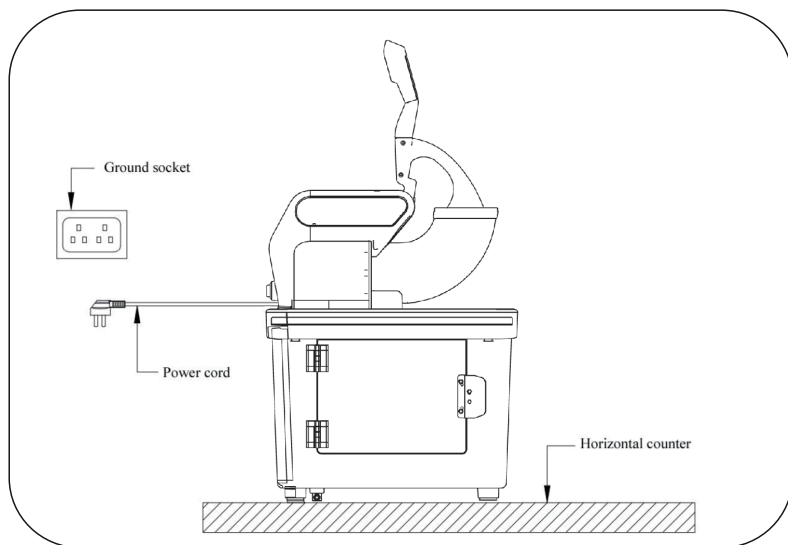
I Installation & Operation

1. Find a location for your ice crusher where it's protected from direct sunlight and other sources of heat (i.e. stove, furnace, radiator). Place the ice crusher on a level surface. Make sure that there is at least 15cm of space between the back and sides of your ice crusher and the wall. Don't place anything on your ice crusher.
2. The appliance must be positioned where the plug is accessible.

NOTE: Improper installation may cause injury to people or objects.

1. The socket must be grounded.
2. The fuse on the PCB must be $>10A$, if change, must be operated by a technician.
3. If the power cord need to change, must be operated by a technician.
4. Voltage fluctuation can't be exceed $+10\%$ than rated voltage, or a Voltage stabilizer is needed.

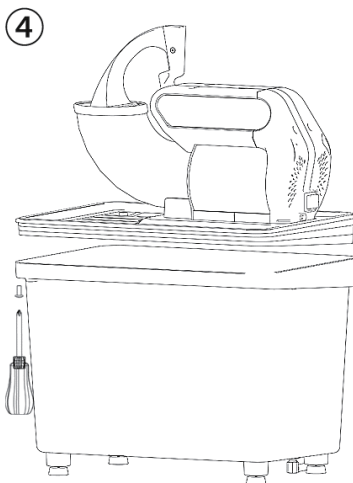
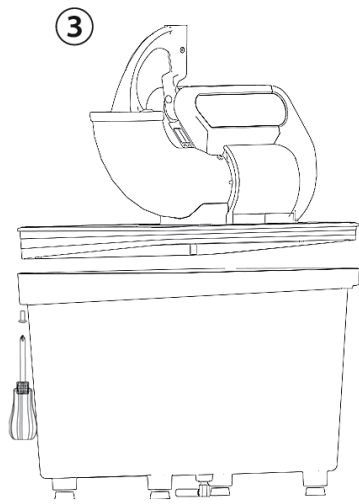
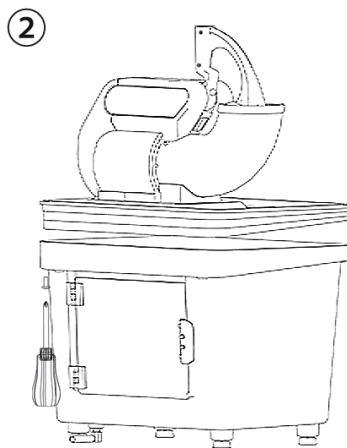
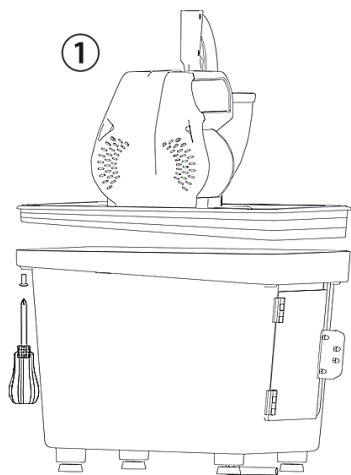
Install the ice crusher like as below:



NOTE: The ice crusher must be installed by a technician.

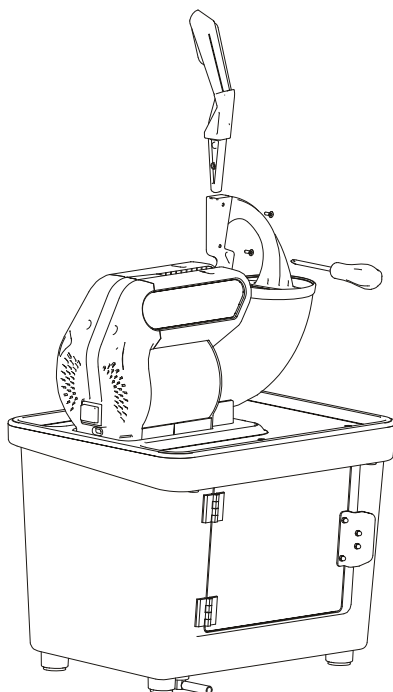
I Installation & Operation

ICE BIN INSTALLATION



I Installation & Operation

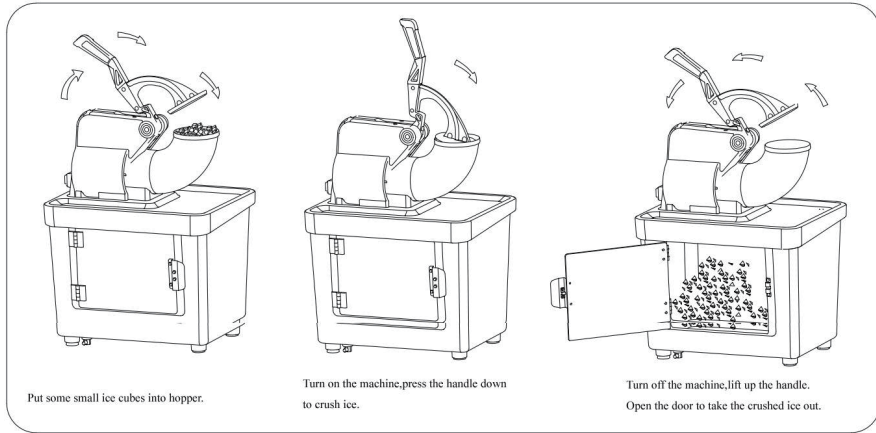
HANDLE INSTALLATION



Screw down the handle tightly.

I Installation & Operation

- a) The ice crusher is only used to crush ice, can't be used for other purpose.
- b) Operate the machine follow the steps as below.



Preparing the ice crusher for long-term storage

- a) Turn off the machine, unplug the power cord, wipe off the water on the power cord and gather the power cord up;
- b) Wipe the surface of the machine and the outer surface of the hopper, and open the handle upwards, which is conducive to the internal moisture distribution;
- c) Keep the machine in a safe place and keep it out of reach of children and disabilities.

I Cleaning & Maintenance

Cleaning of Ice Crusher

1) Cleaning of internal and external parts

Note: Unplug the power plug before performing any cleaning or maintenance procedures. Do not use alcohol to clean the ice crusher, as this may cause plastic parts to crack.

a) Exterior

Use a clean, soft cloth to wipe the outside of the ice machine at least once a week, and then use a damp cloth moistened with a neutral detergent to remove grease or other impurities.

b) Ice box cleaning (after each use)

Immerse the ice box in a mixture of neutral detergent and water for at least 3 minutes. then rinse with water and dry.

c) Hopper (after each use)

Open the handle, allow it to dry naturally, and then close it after drying. There is a sharp blade inside, operate with care.

Operation Maintenance Instruction

Your ice crusher is used to crush small ice cubes.

Clean the interior with lukewarm water and a soft cloth, the blade is very SHARP, operate with care.

Don't pour water directly in the hopper to clean which will damage the motor. Unplug the ice crusher before cleaning

The use of any appliance must follow basic guidelines, in particular:

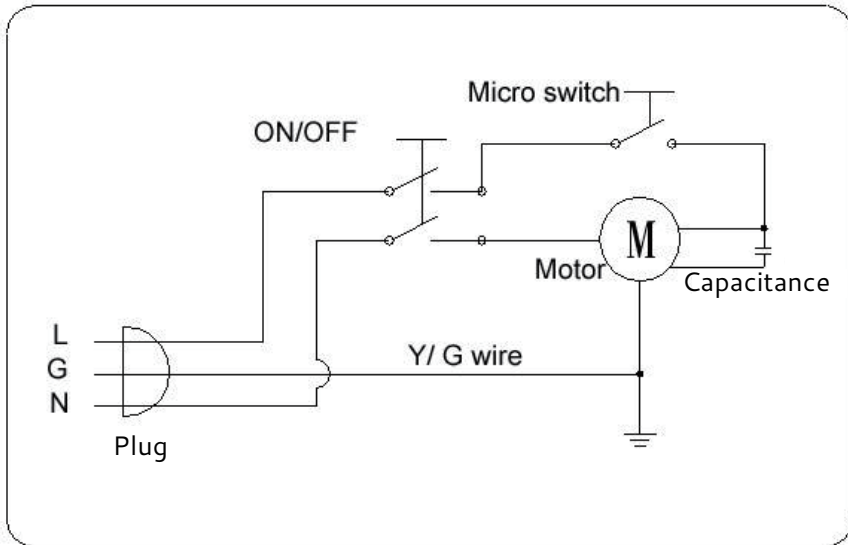
High humidity environment will increase the risk of short circuit or electric shock. If in doubt cut off the power of the ice crusher.

Please do not directly pull down the power cord to turn off the machine, turn off the machine by the switch.


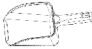





The ice crusher cannot be used by children or disabilities without adult supervision.

I Circuitdiagram & Packing List

Circuitdiagram



Packing List

No	Name	Picture	Purpose	Qty
1	Manual		Instruction Manual	1PC
2	Spoon		Take crushed ice out	1PC
3	Drain hose		Drain	1PC
4	Handle		Need to be assembled by buyer	1PC
5	Screw		Screws the handle	4PCS
6	Screw		Assemble the ice bin	5PCS
7	Screwdriver		Be used to screw the handle	1PC

Warranty

Euhomy offers a limited 1-year warranty ("warranty period") on all of our products purchased new and unused from Euhomy company, with an original proof of purchase and where a defect has arisen, wholly or substantially, as a result of faulty manufacture, parts or workmanship during the warranty period. The warranty does not apply where damage is caused by other factors, including without limitation:

- (a) normal wear and tear;
- (b) abuse, mishandling, accident, or failure to follow operating instructions;
- (c) exposure to liquid or infiltration of foreign particles;
- (d) servicing or modifications of the product other than by Euhomy;
- (e) commercial or non-household use.

The Euhomy warranty covers all costs related to restoring the proven defective product through repair or replacement of any defective part and necessary labor so that it conforms to its original specifications. A replacement product may be provided instead of repairing a defective product. Euhomy's exclusive obligation under this warranty is limited to such repair or replacement. A receipt indicating the purchase date is required for any claim, so please keep all receipts in a safe place. Although greatly appreciated, the product registration is not required to activate any warranty and product registration does not eliminate the need for the original proof of purchase. The warranty becomes void if attempts at repair are made by non-authorized third parties and/or if spare parts, other than those provided by Euhomy, are used.

You may also arrange for service after the warranty expires at an additional cost. These are our general terms for warranty service, but we always urge our customers to reach out to us with any issue, regardless of warranty terms. If you have an issue with a Euhomy product, please contact us (support@euhomy.com.), and we will do our best to resolve it for you.

Option 1

1. Search for "QR Code" on Facebook.
2. Scan the attached QR Code.
3. Become a member of the group.
4. Activate your warranty in the pinned post.



Option 2

1. Open your phone build-in Camera.
2. Point it to the attached QR Code. Make sure you can see all four corners of the QR code in the camera.
3. Tap the pop-up banner and go to the Active Your Warranty link.
4. Become a member of the group, and your warranty is now active



TROUBLESHOOTING

TROUBLESHOOTING TABLE

The following table helps you to check your machine if it does not operate correctly. If you can not identify / remedy the problem, please email **EÜHOMY** at support@euhomy.com

Issues	Check Items	Possible Causes	Solutions
Don't work	Power cord	Din't plug in or damaged	Plug in or replace the power cord
	Socket	Socket is out of shape	Change another socket
	Motor	Motor burnt	Replace the motor
	Power supply	Power switch damaged	Replace the switch
		Low voltage or no power	Contact power supply department
Micro switch	Micro switch damaged	Replace the micro switch	

EÜHOMY

Live the *cool life*



Email support@euhomy.com



Facebook [@Euhomy.Official](https://www.facebook.com/Euhomy.Official)