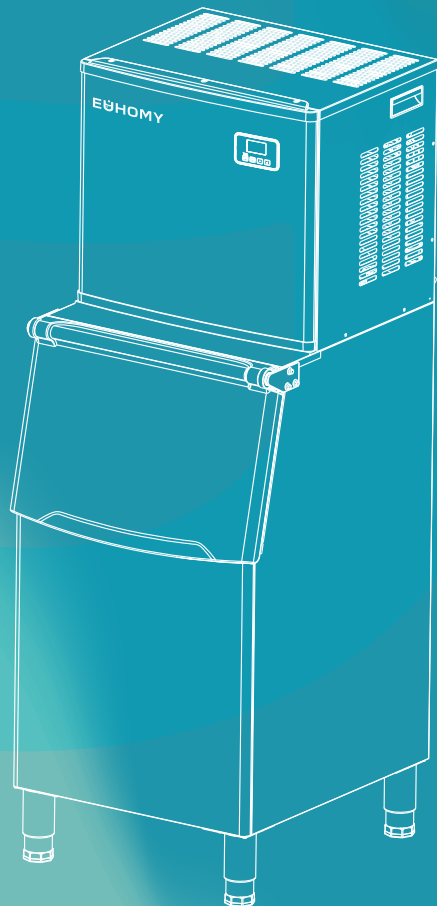


Commercial ice machine

Instruction Manual

SKU: CIM-02



Congratulations

Dear Customer:

Welcome to the Euhomy family. Thank you for purchasing one of our products.

Our goal is to provide you with superior service. If there is anything missing from or wrong with your order, or if you have any questions about using our ice maker, PLEASE contact us.

Email: support@euhomy.com

Facebook: [@Euhomy.Official](https://www.facebook.com/Euhomy.Official)

The Euhomy team is available 24/7 to address your questions, comments, and concerns. Your satisfaction is our ultimate goal. We want to make everything right so you'll share your positive experience with other shoppers on Amazon.

If you experience any problems, please send an email to support@euhomy.com.

Our mission:

* To be the most trusted appliance brand.

* To create practical, compact appliances that better your life.

Be sure to register at
www.euhomy.com/register
for updates, warranty, and other relevant information.

Contents

Important Safety Instructions	02-04
Specifications	05-06
Installation Instructions	07-09
Unpacking Your Ice Maker	10-11
Electrical Requirements And Connections	12-15
Operating Your Unit	16-17
Wiring Diagram	18-19
Cleaning And Maintenance	20-24
Normal Troubleshooting	25-26
Warranty	27

Important Safety Instructions

When using electrical appliances, basic safety precautions should be followed to reduce the risk of fire, electric shock, and injury to persons or property. Read all instructions before using any appliance.

Use this appliance only for its intended purpose as described in this owner's manual.

This ice maker must be properly installed in accordance with the installation instructions before it is used.

This unit must be positioned so that the plug is accessible. Do not run the cord over carpeting or other heat insulators. Do not cover the cord. Keep the cord away from traffic areas. Do not submerge the cord in water. No other appliance should be plugged into the same outlet. Be sure that the plug is fully inserted into the receptacle.

We do not recommend the use of an extension cord as it may overheat and cause a fire. If you must use an extension cord, use a size 14AWG minimum, rated no less than 1875 W.

If the supply cord is damaged, it must be replaced by the manufacturer, its service agent, or a similarly qualified person in order to prevent a hazard.

Disconnect the power cord from the electrical socket if the ice maker will not be used for a long time.

Remove the power cord or disconnect it from the electrical socket before cleaning or servicing the appliance.



NOTE: If for any reason this product requires service, we strongly recommend that a certified technician perform the service.

Never unplug the unit by pulling on the power cord. Always grasp the plug firmly and pull it straight out from the outlet.

Do not use your unit outdoors. Keep the unit out of direct sunlight. Be sure that there is at least 2 inches of space between the back of your unit and the wall. Do not block the front of the unit. Keep the vents clear of obstructions.

Do not tip over the unit. Doing so will cause abnormal noises, make the ice cubes irregular in size, and—most seriously—cause water leakage from the unit.

If the unit is brought in from outside in cold weather, give it a few hours to warm up to room temperature before plugging it in.

Do not use liquids other than water to make ice cubes.

Do not clean your ice maker with flammable fluids. The fumes can create a fire hazard or explosion.

Important Safety Instructions

WARNING:

Do not damage the refrigerant circuit.

WARNING:

This appliance is not intended for use by persons (including children) with reduced physical, sensory, or mental capabilities, or lack of experience and knowledge, unless they have been given supervision or instruction concerning use of the appliance by a person responsible for their safety.

WARNING:

Children should be supervised to ensure they do not play with the appliance.

WARNING:

This appliance must be grounded. Use a 110–120V/60Hz grounded power supply.

WARNING:

Do not store explosive substances, such as aerosol cans with a flammable propellant, in this appliance.

WARNING:

This appliance is intended to be used in household and similar applications, such as staff kitchen areas in shops, offices, and other working environments; farmhouses; in hotels, motels, and other residential-type environments; bed-and-breakfasts and similar environments; and catering and similar non-retail applications.

DANGER:

Risk of Fire or Explosion. Flammable Refrigerant Used. Do Not Use Mechanical Devices to Defrost Ice Maker. Do Not Puncture Refrigerant Tubing.



DANGER:

Risk of Fire or Explosion. Flammable Refrigerant Used. To Be Repaired Only by Trained Service Personnel. Do Not Puncture Refrigerant Tubing.

Important Safety Instructions

CAUTION:

Risk of Fire or Explosion. Flammable Refrigerant Used. Consult Repair Manual/Owner's Guide Before Attempting to Install or Service This Product. All Safety Precautions Must Be Followed.

CAUTION:

Risk of Fire or Explosion. Dispose of Property in Accordance With Federal or Local Regulations. Flammable Refrigerant Used.

CAUTION:

Risk of Fire or Explosion Due to Puncture of Refrigerant Tubing. Follow Handling Instructions Carefully. Flammable Refrigerant Used.

The ice maker should be installed in accordance with the safety standard for refrigeration systems, ASHRAE 1.5. The ice maker shall not be installed in corridors or hallways of public buildings.

If the unit needs maintenance or repairs, the service shall be performed by factory-authorized service personnel with like parts to minimize the risk of possible ignition due to incorrect parts or improper service.

IMPORTANT:

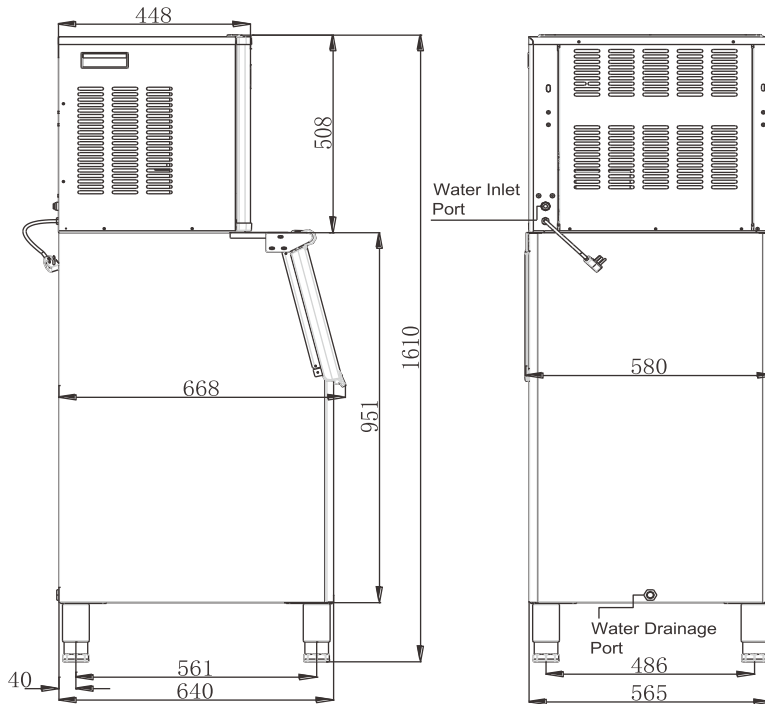
The wires in the power cord are colored in accordance with the following code:

Green, or green with a yellow stripe	Grounding
White	Neutral
Black	Live

To prevent a hazard due to instability of the appliance, it must be placed on a flat, even surface.

Specifications

1) Dimensions/connections



I Specifications

2) Rating

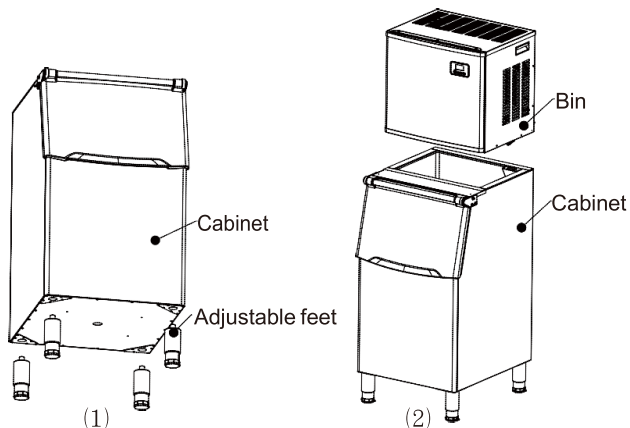
SKU	CIM-02
Power Supply	Single-phase,110-120v/60hz
Climate Class	10-40 C
Electrical – protection Class	I
Ice-making Rating	9.7 a
Ice –making Capacity	190kg/24hr
Refrigerant Charge	R290 3.88 oz/110g
Net Weight	Ice Maker 81lb Ice Bin 62lbs
Vesicant	C ₅ H ₁₀
Unit Dimensions(W×d×h)	668×580×1,610mm
Connection	Power Cord–16AWG
	Water Supply–9.52mm Diameter
	Drain– Φ 16 Sylphon Bellows (Rear)
Water Consumption	210 l/24hr
Max Ice – storage Capacity	90kg
Accessories	Shovel, Installation Kits, 4 Adjustable Feet
Running Conditions*	Room Temp: 50-110°F
	Water Temp: 41-95°F
	Water-supply Pressure: 0.04-0.6mpa

* TESTED AT 70 °F ROOM TEMPERATURE AND 50 °F WATER TEMPERATURE.

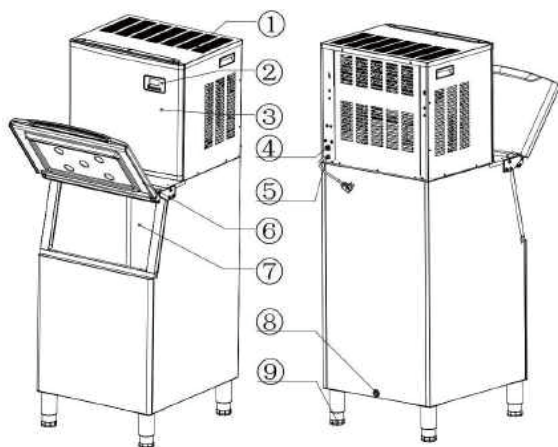
Installation Instructions

Main machine assembly

1. Screw the 4 adjustable feet into the bottom of the ice cabinet. (Note: The feet should be hand-tight and not too loose.)
2. Put the ice cabinet on the floor. Set the bin on top of the ice cabinet. (Note: The bin should be firmly in place after completing the installation.)



About The Machine



I. Body

1. Top vents (to ensure smooth air flow and allow hot air to escape when making ice)
2. Control panel
3. Front panel
4. Outlet tube connection (water inlet)
5. Power cord
6. Door
7. Ice-machine liner
8. Drain (Remove the white drain pipe from the packaging.)
9. Adjustable feet

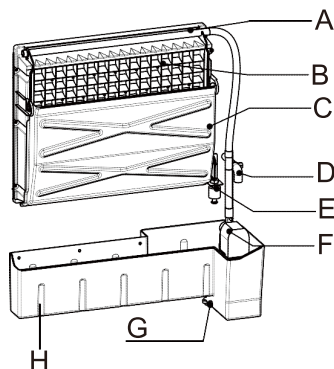
Installation Instructions

Accessories

- Water drain pipe, white, 3 meters
- Quick connector for water faucet
- Water supply pipe, white, 5 m long and 9.52 mm in diameter
- Adjustable feet (x4)

II. Mechanism

- A. Distribution pipe
(Water flows through small holes when making ice.)
- B. Evaporator
- C. Ice-full sensor
- D. Water supply pipe
- E. Level switch
- F. Pump for water circulation
- G. Drain plug for water tank
- H. Water tank



III. Operation panel

A. TIMER/CLEAN:

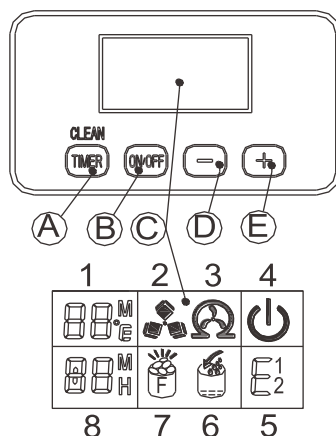
Quickly press this button once. The machine is set for timing; if you press and hold the button for more than 5 seconds, the machine will enter the automatic cleaning program.

B. ON/OFF:

When the machine is making ice, press and hold the button for more than 5 seconds, the machine will be forced to enter the state of deicing.

When the machine automatically enters the cleaning state after the machine is turned on, press the "Timer Cleaning" button alone.

Exit the cleaning state and start ice making.



Installation Instructions

C. LCD display area

1. Ambient temperature display and ice-making countdown display: "M" indicates the ice-making countdown time, and "F" indicates the ambient temperature.
2. Ice-making and deicing symbol display: A rotating symbol indicates that the machine is making ice, whereas a flashing symbol indicates deicing.
3. Automatic self-cleaning symbol display
4. On/off symbol display
5. Error code display: "E1" means the temperature sensor is damaged, whereas "E2" indicates an ice-making anomaly or a refrigerant leakage.
6. Water intake and water shortage display: A flashing arrow indicates that the machine is filling. When the whole symbol is lit, this indicates that the machine is low on water.
7. Ice-full alarm: The machine will start making ice again when you take out the ice.
8. Setting display: "H" indicates the time for regular startup or shutdown, whereas "M" indicates the ice-making time setting.

D&E. + and – buttons:

Use to adjust the length of the ice-making cycle. The default setting is 0. Pressing + or – increases or decreases the cycle in 1-minute increments, respectively. Additionally, use these buttons to set the timer. The default setting is 0. Pressing + or – increases or decreases the time in 1-hour increments, respectively.

Unpacking Your Ice Maker

Unpacking Your Ice Maker

1. Remove the exterior and interior packaging. Check that all accessories (listed below) are included and contact our customer service department if anything is missing.

a. Instruction manual

b. Ice scoop

c. White water-inlet pipe

d. L-shaped 3-point quick-connector to 3-point plug

e. Adjustable feet (4 ea.)

f. 4-way to 3-way water pipe quick-connector

2. Remove the tape used to secure the door, inner cabinet, ice scoop, etc. Gently clean the inner cabinet and ice scoop with a wet cloth.

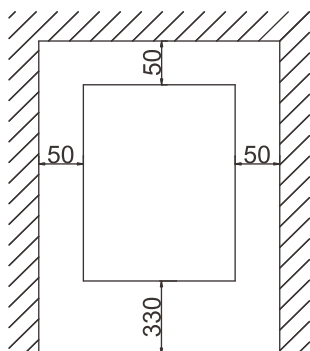
3. Put the ice maker on a flat, level floor, out of direct sunlight and away from sources of heat (e.g., stove, furnace, radiator). Be sure that there is at least an 8-inch gap between the air vent and any other objects, and at least 2 inches between each side and the wall.

4. After unpacking the ice maker, allow 4 hours for the refrigerant fluid to settle before

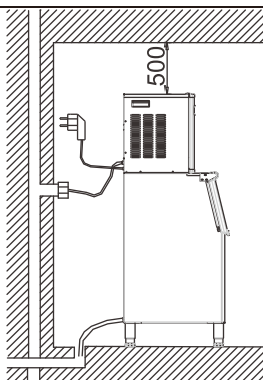
Unpacking Your Ice Maker

- a) This unit is not for outdoor use. Ensure the proper room temperature and inlet water temperature according to the above specification table. Otherwise, ice making will be affected.
- b) This unit should not be located near any heat source.
- c) The unit must be installed so that it will remain stable and not shake or be bumped. Place the unit on a flat, level floor.
- d) There must be at least a 2-inch clearance in back for connections and a 13-inch clearance in front to open the door and maintain good air circulation.
- e) Do not put anything on the top of the ice maker.

Installation clearance top view (1 : 10) (mm)



Side view (mm)



To ensure proper ventilation for your ice maker, the top of the unit must be completely unobstructed (at least 500mm of free space). Allow at least 50mm of clearance at rear and 50mm at sides for proper air circulation. The installation should allow the ice maker to be pulled forward for servicing if necessary. When installing the ice maker, follow the recommended spacing dimensions shown above. Place electrical and water supplies and drain fixtures in the recommended locations as shown.

Choose a well-ventilated area with an ambient temperature between 50 °F and 90 °F. This unit **MUST** be installed in an area protected from the elements (wind, rain, water spray, etc.). The ice maker requires a continuous water supply at a pressure of 1–8 bar as required according to the above specification table. The temperature of the water feeding into the ice maker should be between 41 °F and 77 °F for proper operation.

Electrical Requirements And Connections

Electrical Requirements And Connections

Warning: This Unit Must Be Grounded.

Electrical Shock Hazard

Plug into a grounded wall outlet.

Never remove the grounding prong.

Use a separate power supply or receptacle.

Never use an adapter.

Never use an extension cord.

Failure to follow these instructions can result in death, fire, or electrical shock.

Before you move your ice maker into its final location, it is important to be sure you have the proper electrical connection.

It is recommended that a separate circuit serving only your ice maker be available. Use a receptacle that cannot be turned off by a switch or pull chain. If the supply cord or plug must be replaced, it should be done by a qualified service engineer.

This appliance requires a standard 110–120V, 60Hz electrical outlet with good grounding means.

Recommended grounding method

For your personal safety, this appliance must be properly grounded. The unit is equipped with a power cord featuring a grounding plug. To minimize possible shock hazard, the cord must be plugged into a mating grounding-type wall receptacle, grounded in accordance with the National Electrical Code and local codes and ordinances. If a mating wall receptacle is not available, it is the personal responsibility of the customer to have a properly grounded wall receptacle installed by a qualified electrician.

Electrical Requirements And Connections

Cleaning Your Ice Maker Before First Use

Before using your ice maker, it is strongly recommended to clean it thoroughly.

1. Open the door to the ice bin.
2. Clean the interior of the bin with diluted detergent, warm water, and a soft cloth.
3. Repeatedly clean the interior until it is fully clean. We suggest that you discard the ice cubes made in the first ice-making cycle after cleaning.
4. The outside of the ice maker should be cleaned regularly with a mild detergent solution and warm water.
5. Dry the interior and exterior with a clean, soft cloth.

Water Connection For Your Ice Maker

Important: Be sure to use the new hose sets supplied with the appliance to connect to the water supply. Old hose sets should not be reused.

1. Connect the water-supply hose to the unit.

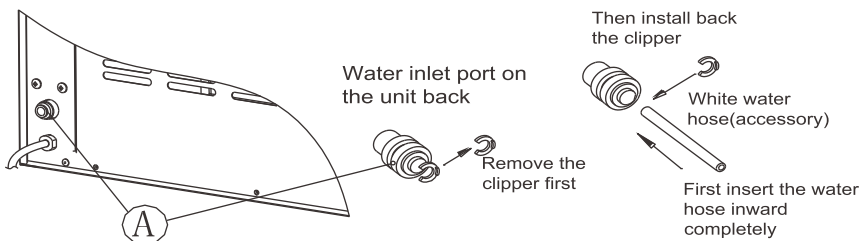
Step 1: Remove the tape from the water-inlet port for the water supply (indicated by "A" in the following illustration) located at the unit back. Then, press out the circle.

Step 2: Insert one end of the white water hose into the water inlet port and push the hose inward completely. Reattach the clip. This completes the water-hose connection.

Unit back view

STEP 1: Remove tape.

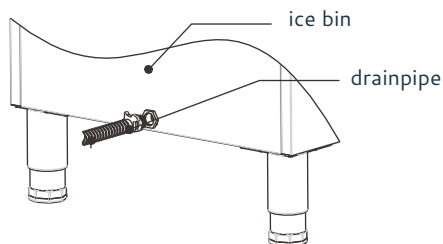
Step 2: Insert water hose completely. Then reattach clip



Electrical Requirements And Connections

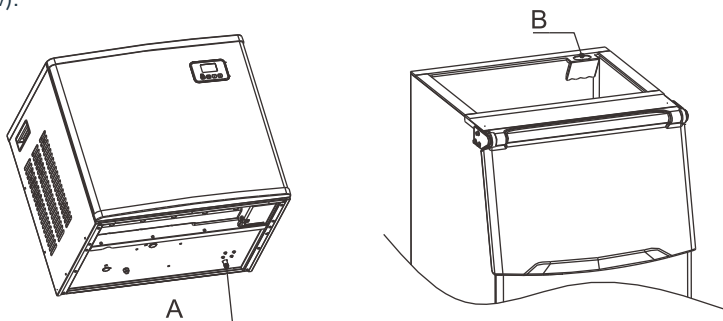
2. Connect the water drain pipe.

Screw the white drainpipe assembly into the drainage port of the ice bin. Connect the other end of the drainpipe assembly to the sewer pipe.



3. Connect the ice maker to the drain of the ice bin.

When the mechanism is placed on the cabinet, the drain (position A, shown below) of the mechanism needs to be connected with the hole of the drain baffle on the cabinet (position B, shown below).



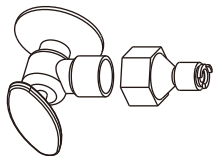
4. Connect the water hose to the faucet of the main water supply.

First, screw the supplied water quick-connector onto a water faucet. Then, remove the clip from the water quick-connector. Next, insert the other end of the water hose into this quick-connector port completely. Finally, reattach the clip.

Important: The water pressure at the main water supply system must be at least 0.04–0.6 MPa.

Electrical Requirements And Connections

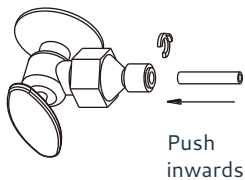
STEP 1: Attach quick-connector to water faucet



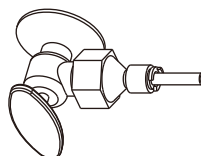
STEP 2: Remove the clipper



STEP 3: Insert water hose completely



STEP 4: Reattach clip







Operating Your Unit

Control panel and display area diagram







Making ice

1. Turn on the ice machine: Plug in the unit. The power symbol  will flash. Press the "ON/OFF" button. The external water pipe will add water to the tank through the solenoid valve. The machine will start to self-clean after the water is tank is full. The symbol "  " will rotate on the display. After draining for 50 seconds, the machine will automatically refill the tank and self-clean again. To cancel the cleaning process, press the "TIMER/CLEAN" button.

After cleaning, the machine will start to make ice. The "  " symbol will stay on, and the ice-making symbol  will rotate. The current ambient temperature will be displayed at the top left of the display window. After a few minutes, a flashing number will appear in the ambient temperature display area. For example, "10M" means there is 10 minutes remaining in the ice-making cycle.

When the machine is used for the first time or has been shut down for more than 24 hours, the automatic cleaning program will run upon startup. The cleaning program will also run after every 20 batches of ice.

2. After each ice-making cycle, the ice-making symbol  flashes. The external water pipe will add water to the tank through the solenoid water valve. The arrow on the  symbol flashes in the process of adding water to the standard water level of the tank. The unit will then enter the next ice-making cycle. When the water tank is full, the  symbol lights up and the machine stops working.

When the water tank is on/off, the water cannot reach the standard water level of the water tank. The  symbol will be on and the machine will stop working. When the water level is low, the machine needs to be restarted; otherwise, it will wait for about 15 minutes and turn on automatically.


Note: Each ice making cycle takes approximately 11 to 20 minutes, depending on the ambient temperature and the temperature of the water being added.

Especially for the first time, the ice-making cycle will be longer because of the higher water temperature in the tank. However, the ice-making cycle will not exceed 30 minutes.

Operating Your Unit

3. Adjust the ice thickness: The number in the bottom left of the display window is the setting of the ice-making time (default is 0). Press “+” to increase the time in 1-minute increments for thicker ice.

Press “-” to decrease the time in 1-minute increments for thinner ice. Note: The time you set changes only the next ice-making cycle. Restarting the machine resets the default to “0”.

4. When the “” symbol lights up, the machine will stop working. It will work again after you take out the ice.

5. Shut down the unit: During the ice-making process, press the “ON/OFF” button to shut down the unit and put it in Standby mode. If you press “ON/OFF” longer than 5 seconds during ice-making, the unit automatically enters the deicing process. This function can help remove the ice from the ice plate. Press “ON/OFF” again to shut down the machine.

6. Timing setting: Setting range = 1-24 hours

When the unit is running, you can program the timer to schedule the shutdown.

When the unit is on Standby, you can program the unit to turn on ON-TIMER.

How to set the timing

Press the TIMER button. The default timing time shows in the display window as “1H.” Press “+” or “-” to increase or decrease the timing as desired in 1-hour increments. When adjusting the time, the “H” will flash. After 5 seconds of inactivity, the “H” will become steady, indicating that the timer has been set.



In Standby mode, “5H” on the display means the unit will start automatically after 5 hours. In ice-making mode, “5H” means the machine will shut down automatically after 5 hours. The “H” in the display screen indicates that the machine currently has a timing function, and the number will count down to zero. At that point, the timing ends, and the machine enters the mode you need.

How to cancel the timing

When the unit has a timer set (the display window will display XX H), press “TIMER” to cancel the timer. The timer is canceled after the number on the screen and “H” turn off.

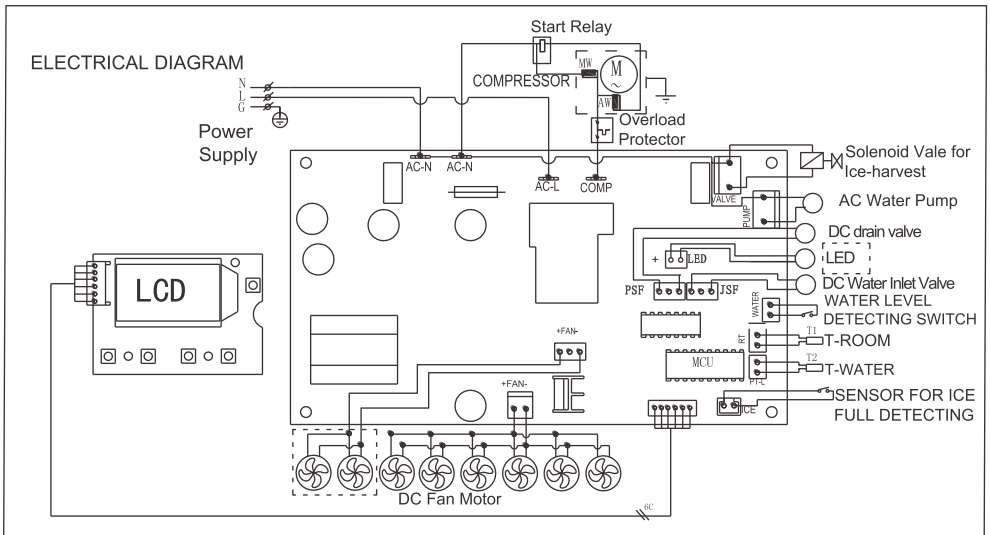
When the unit has a timer set, the display area in the lower left corner will display the set time and the ice-making setting time. The display content will switch every 5 seconds.

7. Automatic self-cleaning program

Turn on the ice machine: Plug in the power cord. The power symbol “” will flash. Press “ON/OFF” to let the tank start filling. The machine will start to self-clean after the water is high enough. The symbol “” will revolve on the display. The countdown area will display “90M.”

Canceling the self-cleaning program: It takes about 90 minutes to complete one self-cleaning cycle. When the cycle is over, the system will turn off automatically. You can also press the “ON/OFF” button on the control panel to cancel the self-cleaning program by force.

Wiring Diagram



Note: Not all models feature the fans pictured inside the dotted lines.

Normal Sounds

Your new ice maker may make unfamiliar sounds. Most of these sounds are normal. Hard surfaces such as flooring, walls, and cabinets can make the sounds seem louder than they actually are. The following describes the kinds of sounds that might be new to you and what may be making them.

- You will hear a swooshing sound when the water valve opens to fill the water tank for each cycle.
- Rattling noises may come from the flow of the refrigerant or the water line. Items stored on top of the ice maker can also make noises.
- The high-efficiency compressor may make a pulsating or high-pitched sound.
- Water running from the water tank to the evaporator plate, and vice versa, may make a splashing sound.
- As each cycle ends, you may hear a gurgling sound due to the refrigerant flowing in your ice maker.
- You may hear air being forced over the condenser by the condenser fan. During the harvest cycle, you may hear ice cubes falling into the ice storage bin.
- When you first start the ice maker, you may hear water running continuously. The ice maker is programmed to run a rinse cycle before it begins to make ice.

Wiring Diagram

Preparing the Ice Maker for Long Storage

If the ice maker will not be used for a long time or is to be moved to another place, it is necessary to drain out all of the water in the system.

1. Ensure that all ice cubes have been ejected from the evaporator of the ice maker.
2. Turn off the unit and unplug the power cord.
3. Shut off the water at the main water supply.
4. Disconnect the water-supply hose from the water-inlet valve.
5. Pull out the water-drainage cap of the water tank to drain out the water in the water tank.
When all of the water has been drained out, re-place the water-drainage cap in the water tank.
6. Drain out all of the water from the water-drainage port located at unit back.
7. Disconnect the water-drainage pipe to the main drain pipeline or floor drain.
8. Drop the door open to allow for circulation and prevent mold and mildew.
9. Leave the water-supply hose and power cord disconnected until ready to reuse.
10. Dry the interior and wipe the exterior of the unit.
11. Put a plastic bag over the unit to protect it from dust and dirt.

Cleaning And Maintenance

WARNING:

Before carrying out any cleaning or maintenance operations (with the exception of the self-cleaning program), unplug the ice maker from the main power supply.

Do not use any alcohol or fumes for cleaning/sanitization of the ice maker. To do so may cause cracks in the plastic parts.

Ask a trained service person to check and clean the condenser at least once a year to keep the unit working properly.

This appliance must be cleaned by use of a water jet.

CAUTION

If the ice maker has been left unused for a long time, clean it thoroughly before the next use. Carefully follow any instructions provided for cleaning and the use of sanitizing solution. Do not leave any solution inside the ice maker after cleaning.

Periodic cleaning and proper maintenance will ensure the efficiency, top performance, sanitation, and long life of the machine. The maintenance intervals listed are based on normal conditions. You may want to shorten the intervals if you have pets, the unit is used outdoors, or there are other special considerations.



NOTE:

Never keep anything in the ice-storage bin other than ice. Objects such as wine and beer bottles are unsanitary, and their labels may slip off and obstruct the drain pipe.

Exterior Cleaning

The door and cabinet may be cleaned with a solution of mild detergent and warm water (such as 1 ounce of dishwashing liquid mixed with 2 gallons of warm water). Do not use solvent-based or abrasive cleaners. Use a soft sponge and rinse with clean water. Wipe with a soft, clean towel to prevent water spotting.

NOTICE: Stain steel models can discolor when exposed to chlorine gas (such as in areas with hot tubs or swimming pools) or moisture. Although such discoloration is normal, the unit should be cleaned promptly after such exposure. Clean stainless steel models with a cloth dampened with a solution of mild detergent and warm water. Never use abrasive cleaning agents.

Cleaning And Maintenance

Interior Cleaning

For Ice Storage Bin

The ice storage bin should be sanitized occasionally. Clean the bin before the ice maker is used for the first time or reused after an extended period of disuse. It is usually convenient to sanitize the bin after the ice-making system has been cleaned, when the storage bin is empty.

1. Disconnect power to the unit.
2. Open the door and, with a clean cloth, wipe down the interior with a sanitizing solution made of 1 ounce of household bleach or chlorine and 2 gallons of hot water (95–115 °F).
3. Rinse thoroughly with clear water. The wastewater will drain out through the drainpipe.
4. Reconnect power to the unit.

The ice scoop should be washed regularly. Wash it just like any other food container.

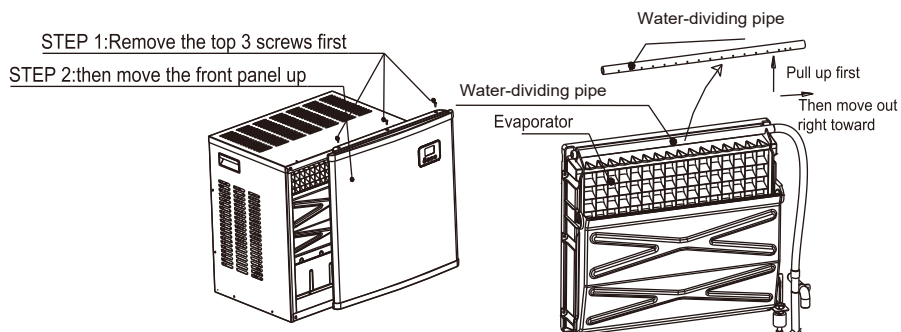
WARNING:

DO NOT use solvent cleaning agents or abrasives on the interior. These cleaners may transmit taste to the ice cubes, or damage or discolor the interior.

Parts Cleaning

Periodically clean the main system of your ice maker.

1. Repeat the above steps to clean the water tank and other inner parts of the unit.
2. If the compressor and the water pump are running normally but little or no water is flowing out of the water-dividing pipe, power off the unit and remove the front panel. Remove the pipe and clean it carefully. Unclog each tiny hole (displayed in the following illustration) with a pin or needle. Then, reinstall the pipe in its original location.

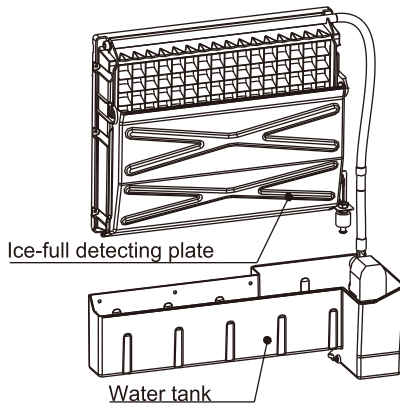


Cleaning And Maintenance

3. When there are ice cubes stuck to the surface of the evaporator, do not use any tools to remove the ice by force. Instead, press the "ON/OFF" button for more than 5 seconds. The unit will enter the defrosting mode. After some time, the ice cubes will fall away from the evaporator. When this happens, you can turn off the unit and unplug the power cord to clean the surface of the evaporator.

4. For the water tank and ice-full detecting plate

It is critical to clean the water tank and the ice-full detecting plate to keep your ice cubes sanitary. Put a mixture of neutral cleaner and water into a clean spray bottle. Then, spray all the inner surfaces of the tank and the ice-full detecting plate. Wipe these surfaces as well as possible with a clean cloth. Then, spray the surfaces with clean water, wiping with a dry, clean cloth. Drain the cleaning water out of the water tank by pulling out the water drainage cap of the water tank. When all of the dirty water has been drained out, re-place the drainage cap in the water tank.



Suggestion: After cleaning the interior parts and reinstalling them to their respective positions, be sure to discard the first batch of ice made.

Ice Making Assembly System Cleaning by Using Nu-Calgon Nickel-Safe Ice Machine Cleaner

Minerals that are removed from the water during the freezing cycle will eventually form a hard, scaly deposit in the water system. Cleaning the system regularly helps remove the mineral scale buildup. How often you need to clean the system depends upon how hard your water is. With hard water of 4 to 5 grains per liter, you may need to clean the system as often as every 6 months.

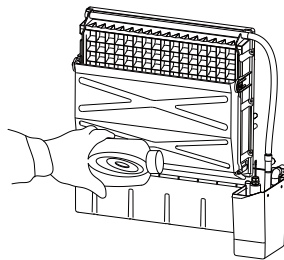
I Cleaning And Maintenance

1. Turn off the ice maker. Keep the ice maker connected to the water supply and drainpipe, but shut off the faucet of the main water supply.
2. Open the door and scoop out all of the ice cubes. Either discard them or save them in an ice chest or cooler.
3. Remove the front panel of the ice maker.
4. Make the cleaning solution. In a plastic or stainless steel container with more than 1 gallon capacity, mix 14 ounces Nu-Calgon Nickel-Safe Ice Machine Cleaner with 1 gallon warm water (about 120 °F– 140 °F). Then divide the solution equally into two large pitchers or cups. Try to keep the cleaning solution as warm as possible.

WARNING:

Wear rubber gloves and safety goggles (and/or a face shield) when handling ice-machine cleaner or sanitizer.

5. Check to be sure that the water-drainage cap of the water tank has been installed properly in the slot of the tank wall. Then, pour half of your prepared cleaning solution into the water tank. Let the solution stand for about 5 minutes.



6. Power on the ice maker. Then, press the “TIMER/CLEAN” button on the control panel for more than 5 seconds to enter the self-cleaning program. The machine will start to self-clean after the water is full. The symbol will revolve on the LCD display. The self-cleaning program takes 90 minutes (displayed on the timer) and will then automatically stop. Press the “TIMER/CLEAN” button again to cancel the cleaning.

7. After the self-cleaning procedure is completed, pull out the water-drainage cap to manually drain the water tank. Drain the cleaning solution down to the lower ice-storage bin. Shake the unit slightly to drain out all of the cleaning solution completely. Rinse the tank with clean water. Then reinsert the water-drainage cap in the water tank.

8. Repeat steps 5 through 8 to clean the ice-making assembly system again.

I Cleaning And Maintenance



WARNING:

The ice-machine cleaner contains acids.

DO NOT use or mix cleaner or cleaning solution with any other solvent-based cleaning products.

Use rubber gloves to protect hands. Carefully read the material safety instructions on the container of the ice-machine cleaner.

DISCARD the first batch of ice made after cleaning.

9. Following the above procedure to clean the tank.

10. After the self-cleaning program finishes, you can return to the regular ice-making mode. Be sure to discard the first batch of ice cubes.

Cleaning Suggestions

1) DAILY CLEANING

The ice scoop and door and the should be cleaned at the end of every day. Rinse the scoop and wipe both sides of the door with a clean cloth.

2) SEMIMONTHLY CLEANING

The ice scoop, ice bin, water tank, ice-full detecting plate, and evaporator surface are to be cleaned semimonthly according to the interior-cleaning program.

3) SEMIANNUAL CLEANING


All components and surfaces exposed to water or ice (i.e., ice-storage bin, water tank, door, evaporator, water pump, silicone tube, water-dividing pipe) should be cleaned with Nu-Calgon Nickel-Safe Ice-machine Cleaner every 6 months by a service technician according to the ice making assembly system cleaning program.

Normal Troubleshooting

Problem	Possible Cause	Solution
The whole “  ” symbol is always on.	No water supply	Check the main water-supply pressure. Check the water-supply hose for blockages. Increase the water pressure or clean the hose as necessary.
	NFloating ball of the water level-detecting switch is blocked and cannot rise.	Clean the water tank and the water level-detecting switch.
	Water flows out from the water tank.	Place the unit on a level surface, not on a slope.
	Water flows out from the water-drainage cap of the water tank.	Pull out the water -drainage cap and re-install it properly in the slot of the water tank.
The unit enters the ice-making process, but no water flows in the unit, and the whole “  ” symbol is on.	Water-supply hose has broken down. Water flows too slowly.	Check the main water-supply pressure. Check the water-supply hose for blockages. Increase the water pressure or clean the hose as necessary.
The water pump is working but no water flows out of the water-dividing pipe.	The little holes in the water dividing pipe are blocked.	Carefully clean the little holes with a pin or needle.
Ice cubes are cloudy.	Water quality is poor.	Change the water supply, or use a water filter to soften or filter the water.
Ice cube shape is irregular.	Water quality is poor. Water tank is dirty.	Clean the water tank and refill it with fresh water.
	Holes in the water-dividing pipe are blocked.	Clean the water-dividing pipe, making sure all 9 holes are unlogged.
Ice cubes are too small/thin.	Ambient temperature is too high.	Move the unit to a cooler place or increase the time of each ice-making cycle
	Air circulation around the unit is insufficient.	Make sure there is more than 200mm of space between the back of the unit and any wall or other object.
Ice cubes are too large/thick.	Ambient temperature is too low.	Reduce the time of each ice-making cycle.
The “  ” indicator is on.	The ice-storage bin is full.	Remove the ice cubes.
Ice-making cycle runs but makes no ice.	The ambient temperature or water temperature in water tank is too high.	Move the unit to a place with a temperature lower than 90 °F. Add cooler water to the tank.
	Refrigerant is leaking.	Consult a technical serviceperson for maintenance.
	Cooling system tube is clogged	Consult a technical serviceperson for maintenance.

I Normal Troubleshooting

Error Indicator

- a) Temperature sensor breakdown: "E1" is displayed.
- b) No ice or refrigerant leakage: "E2" is displayed.
- c) Magnetic control switch cutoff: "  " light will be on when plugging in or just turning on the unit. And it Disengage after open circuit.
- d) During the ice-making process, press the "ON/OFF" button for more than 5 seconds to start the ice-harvesting program. After the ice-harvesting program, the machine will start the ice-making process.

Correct disposal of this product



This symbol indicates that this product should not be disposed of with regular household waste in the U.S. To prevent possible harm to the environment or to human health from uncontrolled waste disposal, recycle the item responsibly to promote the sustainable reuse of material resources. To return your used device, please use the return and collection systems or contact the retailer where the product was purchased. They can accept this product for environmentally safe recycling.

Warranty

Euhomy offers a limited 1-year warranty ("warranty period") on all of our products purchased new and unused from Euhomy company, with an original proof of purchase and where a defect has arisen, wholly or substantially, as a result of faulty manufacture, parts or workmanship during the warranty period. The warranty does not apply where damage is caused by other factors, including without limitation:

- (a) normal wear and tear;
- (b) abuse, mishandling, accident, or failure to follow operating instructions;
- (c) exposure to liquid or infiltration of foreign particles;
- (d) servicing or modifications of the product other than by Euhomy;
- (e) commercial or non-household use.

The Euhomy warranty covers all costs related to restoring the proven defective product through repair or replacement of any defective part and necessary labor so that it conforms to its original specifications. A replacement product may be provided instead of repairing a defective product. Euhomy's exclusive obligation under this warranty is limited to such repair or replacement. A receipt indicating the purchase date is required for any claim, so please keep all receipts in a safe place. Although greatly appreciated, the product registration is not required to activate any warranty and product registration does not eliminate the need for the original proof of purchase. The warranty becomes void if attempts at repair are made by non-authorized third parties and/or if spare parts, other than those provided by Euhomy, are used.

You may also arrange for service after the warranty expires at an additional cost. These are our general terms for warranty service, but we always urge our customers to reach out to us with any issue, regardless of warranty terms. If you have an issue with a Euhomy product, please contact us (support@euhomy.com), and we will do our best to resolve it for you.

Option 1

1. Search for "QR Code" on Facebook.
2. Scan the attached QR Code.
3. Become a member of the group.
4. Activate your warranty in the pinned post.



Option 2

1. Open your phone build-in Camera.
2. Point it to the attached QR Code. Make sure you can see all four corners of the QR code in the camera.
3. Tap the pop-up banner and go to the Active Your Warranty link.
4. Become a member of the group, and your warranty is now active



EUHOMY

Refresh Every Moment!



Email: support@euhomy.com



Facebook: [@Euhomy.Official](https://www.facebook.com/Euhomy.Official)